



ErP information

Gas fired condensing boiler

Gas 210 ECO PRO

Dear customer,

Thank you for purchasing this appliance.

Please read this manual carefully before using the product and keep it in a safe place for future reference.

In order to ensure continued safe and efficient operation we recommend that the product is regularly maintained. Our Service and After Sales organization can assist with this.

We hope you will receive many years of satisfactory service.

**Remeha B.V.**  
Postbus 32  
7300 AA Apeldoorn  
T +31 (0)55 549 6969  
I <http://nl.remeha.com>  
E [remeha@remeha.com](mailto:remeha@remeha.com)

# Contents

<b>1</b>	<b>Safety</b> .....	<b>4</b>
1.1	Recommendations .....	4
<b>2</b>	<b>About this manual</b> .....	<b>6</b>
2.1	Symbols used .....	6
2.1.1	Symbols used in the manual .....	6
2.2	Afkortingen .....	6
<b>3</b>	<b>Technical specifications</b> .....	<b>7</b>
3.1	Homologations .....	7
3.1.1	Unit categories .....	7
3.2	Technical data .....	7
3.3	Electrical diagram .....	10
<b>4</b>	<b>Commissioning</b> .....	<b>12</b>
4.1	Gas settings .....	12
4.1.1	Adaptation to a different gas type .....	12
4.1.2	Checking/setting the combustion .....	12
<b>5</b>	<b>Settings</b> .....	<b>15</b>
5.1	Parameter descriptions .....	15
5.2	Displaying the measured values .....	15
5.2.1	Status and sub-status .....	15
<b>6</b>	<b>Disposal/recycling</b> .....	<b>17</b>
6.1	Removal/recycling .....	17
<b>7</b>	<b>Appendix</b> .....	<b>18</b>
7.1	ErP information .....	18
7.1.1	Product card .....	18
7.2	Optional electrical connections .....	18
7.2.1	Connection options for the PCB (SCU-X03) .....	18

# 1 Safety

## 1.1 Recommendations

---

**Danger**

This appliance must not be used by people (and children) with a physical, sensory or mental disability, or by people with a lack of technical experience, unless they are supervised by someone who can assure their safety, or they have been instructed in the correct use of the appliance. Do not allow children to play with the appliance.

**Warning**

Installation and maintenance of the boiler must be carried out by a qualified installer in accordance with local and national regulations.

**Warning**

Only qualified persons are authorised to assemble, install and maintain the installation.

**Warning**

Removal and disposal of the boiler must be carried out by a qualified installer in accordance with local and national regulations.

**Warning**

If the mains lead is damaged, it must be replaced by the original manufacturer, the manufacturer's dealer or another suitably skilled person to prevent hazardous situations from arising.

**Warning**

Always disconnect the mains supply and close the main gas tap when working on the boiler.

**Warning**

Check the entire system for leaks after maintenance and servicing work.

**Caution**

- Make sure the boiler can be reached at all times.
- The boiler must be installed in a frost-free area.
- If the power cord is permanently connected, you must always install a main bipolar switch with an opening gap of at least 3 mm (EN 60335-1).
- Drain the boiler and central heating system if you are not going to use your home for a long time and there is a chance of frost.
- The frost protection does not work if the boiler is out of operation.
- The boiler protection only protects the boiler, not the system.
- Check the water pressure in the system regularly. If the water pressure is lower than 0.8 bar, the system must be topped up (recommended water pressure between 1.5 and 2 bar).

**Note**

Keep this document near to the boiler.

**Note**

Casing panels may only be removed for maintenance and servicing purposes. Refit all panels when maintenance work and servicing are complete.

**i** **Note**  
Instruction and warning labels must never be removed or covered and must be clearly legible throughout the entire service life of the boiler. Replace damaged or illegible instruction and warning labels immediately.

**i** **Note**  
Modifications to the boiler require the written approval of **Remeha**.

## 2 About this manual

### 2.1 Symbols used

---

#### 2.1.1 Symbols used in the manual

---

This manual uses various danger levels to draw attention to special instructions. We do this to improve user safety, to prevent problems and to guarantee correct operation of the appliance.

**Danger**

Risk of dangerous situations that may result in serious personal injury.

**Danger of electric shock**

Risk of electric shock.

**Warning**

Risk of dangerous situations that may result in minor personal injury.

**Caution**

Risk of material damage.

**Note**

Please note: important information.

**See**

Reference to other manuals or pages in this manual.

### 2.2 Afkortingen

---

<b>PCU</b>	PCB for managing burner operation
<b>SCU</b>	Control panel PCB
<b>SU</b>	Safety PCB

## 3 Technical specifications





### 3.1 Homologations

#### 3.1.1 Unit categories

Category	Gas type	Connection pressure (mbar)
II <sub>2H3P</sub>	G20 (H gas) G31 (propane)	20 37-50

### 3.2 Technical data

Tab.1 General

Gas 210 ECO PRO			210-80	210-120	210-160	210-200
Nominal output (Pn) Central heating operation (80/60°C)	min-max  <sup>(1)</sup>	kW	16 - 87 87	22 - 115 115.0	29 - 166 166	39 - 200 200
Nominal output (Pn) Central heating operation (50/30°C)	min-max  <sup>(1)</sup>	kW	18 - 93 93	24 - 129 129	33 - 179 179	44 - 217 217
Nominal input (Qn) Central heating operation (Hi)	min-max  <sup>(1)</sup>	kW	17 - 89 89	23 - 123 123	31 - 170 170	41 - 205 205
Nominal input (Qn) Central heating operation (Hs)	min-max  <sup>(1)</sup>	kW	19 - 99 99	26 - 137 137	34 - 189 189	46 - 228 228
Full load central heating efficiency (Hi) 80°C/60°C (92/42 EEC)		%	97.43	97.5	97.54	97.6
Full load central heating efficiency (Hi) 50/30°C (EN15502)		%	104.3	104.7	105.2	105.7
Central heating efficiency under part load (Hi) (Return temperature 60°C)		%	92.7	94.0	95.1	95.5
Part load central heating efficiency (92/42 EEC) (Return temperature 30°C)		%	108.6	108.3	108.1	108.4
(1) Factory setting						

Tab.2 Gas and flue gas data

Gas 210 ECO PRO			210-80	210-120	210-160	210-200
Gas inlet pressure G20 (H gas)	min-max	mbar	17 - 25	17 - 25	17 - 25	17 - 25
Gas inlet pressure G31 (propane)	min-max	mbar	37 - 50	37 - 50	37 - 50	37 - 50
Gas consumption G20 (H gas)	min-max	m <sup>3</sup> /h	1.8 - 9.4	2.4 - 13	3.3 - 18	4.3 - 21.7
Gas consumption G31 (propane)	min-max	m <sup>3</sup> /h	1.0 - 3.6	1.0 - 4.8	1.6 - 7.0	1.8 - 8.4
NOx annual emissions (BREAM)		mg/kWh	-	-	-	-
Flue gas quantity	min-max	kg/h	27 - 150	37 - 197	39 - 287	65 - 345
Flue gas temperature	min-max	°C	30 - 63	30 - 64	30 - 62	30 - 64
Maximum counter pressure		Pa	130	130	130	130

Tab.3 Central heating circuit data

Gas 210 ECO PRO			210-80	210-120	210-160	210-200
Water content		l	12	16	20	24
Water operating pressure	min	bar	0.8	0.8	0.8	0.8
Water operating pressure (PMS)	max	bar	6.0	6.0	6.0	6.0
Water temperature	max	°C	110	110	110	110
Operating temperature	max	°C	90	90	90	90
Pressure drop secondary circuit ( $\Delta T=20K$ )		mbar	165	135	170	180
Minimum flow		l/h	1120	1486	2142	2585

Tab.4 Electrical data

Gas 210 ECO PRO			210-80	210-120	210-160	210-200
Supply voltage		VAC	230	230	230	230
Power consumption – full load	max	W	125	193	206	317
Power consumption – part load	min	W	36	37	53	54
Power consumption – standby	min	W	4	4	4	4
Electrical protection index		IP	20	20	20	20
Fuse – main fuse		(A)	6.3 AT	6.3 AT	6.3 AT	6.3 AT
Fuse – PCB		(A)	1.6 AT	1.6 AT	1.6 AT	1.6 AT

Tab.5 Other data

Gas 210 ECO PRO			210-80	210-120	210-160	210-200
Total weight (empty)		kg	115	135	165	188
Average acoustic level <sup>(1)</sup> at a distance of 1 metre from the boiler	Central heating operation	dB(A)	≤ 59	≤ 59	≤ 59	≤ 59
(1) Maximum						

Tab.6 Technical parameters

Gas 210 ECO PRO			210-80	210-120	210-160	210-200
Condensing boiler			Yes	Yes	Yes	Yes
Low-temperature boiler <sup>(1)</sup>			Yes	Yes	Yes	Yes
B1 boiler			No	No	No	No
Cogeneration space heater			No	No	No	No
Combination heater			No	No	No	No
<b>Rated heat output</b>	<i>Prated</i>	kW	87	115	166	200
Useful heat output at nominal heat output and high temperature operation <sup>(2)</sup>	<i>P<sub>4</sub></i>	kW	87	115	166	200
Useful heat output at 30% of rated heat output and low temperature regime <sup>(3)</sup>	<i>P<sub>1</sub></i>	kW	29.1	38.3	55.2	66.6
<b>Seasonal space heating energy efficiency</b>	<i>η<sub>s</sub></i>	%	-	-	-	-
Useful efficiency at rated heat output and high temperature regime <sup>(4)</sup>	<i>η<sub>4</sub></i>	%	87.7	87.8	87.8	87.8
Useful efficiency at 30% of rated heat output and low temperature regime <sup>(3)</sup>	<i>η<sub>1</sub></i>	%	97.7	97.5	97.3	97.6
<b>Auxiliary electricity consumption</b>						
Full load	<i>elmax</i>	kW	0.1	0.2	0.2	0.3
Part load	<i>elmin</i>	kW	0.0	0.0	0.1	0.1



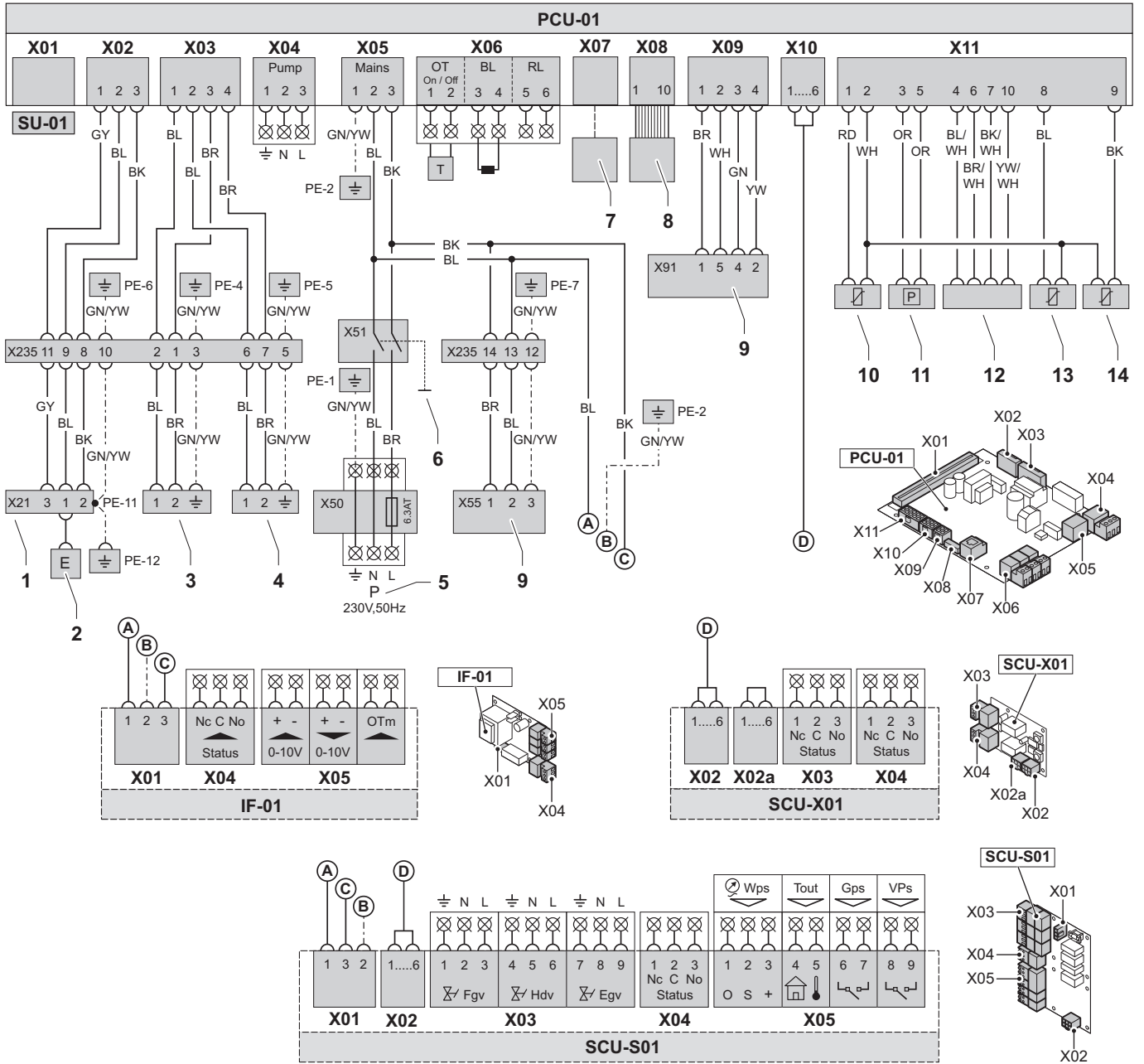
Gas 210 ECO PRO			210-80	210-120	210-160	210-200
Standby mode	$P_{SB}$	kW	0.004	0.004	0.004	0.004
<b>Other items</b>						
Standby heat loss	$P_{stby}$	kW	-	-	-	-
Ignition burner power consumption	$P_{ign}$	kW	-	-	-	-
Annual energy consumption	$Q_{HE}$	kWh GJ	-	-	-	-
Sound power level, indoors	$L_{WA}$	dB	67	67	67	67
Emissions of nitrogen oxides	$NO_x$	mg/kWh	56	49	44	52
(1) Low temperature means 30°C for condensing boilers, 37°C for low temperature boilers and 50°C (at heater inlet) for other heating appliances. (2) High temperature operation means 60°C return temperature at heater inlet and 80°C feed temperature at heater outlet.						

**See**

Refer to the back cover for contact details.

### 3.3 Electrical diagram

Fig.1 Electrical diagram



AD-3000122-01

- |  |  |
|--|--|
| <p>1 Ignition transformer (IT)</p> <p>2 Ionisation/ignition electrode (E)</p> <p>3 Safety valve (SV1)</p> <p><b>i</b> <b>Note</b></p> <ul style="list-style-type: none"> <li>• For the 210-80 - 210-120, the gas valve unit connection is 230 VAC.</li> <li>• For the 210-160 - 210-200, the gas valve unit connection is 230 RAC.</li> </ul> <p>4 Safety valve (SV2)</p> <p><b>i</b> <b>Note</b></p> <ul style="list-style-type: none"> <li>• For the 210-80 - 210-120 boilers, the gas valve unit connection is 230 VAC.</li> <li>• For the 210-160 - 210-200 boilers, the gas valve unit connection is 230 RAC.</li> </ul> <p>5 Power supply (P)</p> <p>6 On/off switch (S)</p> | <p>7 Computer connection (PC)</p> <p>8 Control panel (HMI)</p> <p>9 Fan (FAN)</p> <p>10 Flow sensor (FTS)</p> <p>11 Pressure switch (PS)</p> <p>12 Storage parameter (PSU)</p> <p>13 Return sensor (RTS)</p> <p>14 Heat exchanger sensor (HTS)</p> <p><b>BK</b> Black</p> <p><b>BK/</b> Black/White</p> <p><b>WH</b> White</p> <p><b>BL</b> Blue</p> <p><b>BL/</b> Blue/White</p> <p><b>WH</b> White</p> <p><b>BR</b> Brown</p> <p><b>BR/</b> Brown/White</p> <p><b>WH</b> White</p> |
|--|--|

**GN** Green  
**GN/** Green/Yellow  
**YW**  
**GY** Grey  
**OR** Orange

**RD** Red  
**WH** White  
**YW** Yellow  
**YW/** Yellow/White  
**WH**

## 4 Commissioning

### 4.1 Gas settings

#### 4.1.1 Adaptation to a different gas type

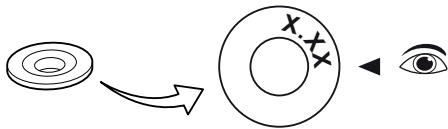

**Warning**

Only a qualified installer may carry out the following operations.

Tab.7 Factory setting G20 (H gas)

Parameter	Description	210-80	210-120	210-160	210-200
P 17	Maximum speed for central heating	51	64	48	57
P 18	Minimum speed for central heating	12	13	10	12
P 19	Start speed	17	17	17	17
Restrictor	ø (mm)	8,4	8,4	–	–

Fig.2 Replacing restrictor



AD-3000112-01

Before operating with a different type of gas, carry out the following steps.

1. Check the correct diameter of the existing restrictor (see table) and replace it if necessary.
2. Set the fan speed as indicated in the table for the relevant gas type. The speed can be changed with a parameter setting.

Tab.8 Adjustment for gas type G31 (propane)

Parameter	Description	210-80	210-120	210-160	210-200
P 17	Maximum speed for central heating	52	61	60	55
P 18	Minimum speed for central heating	15	14	15	13
P 19	Start speed	20	20	22	22
Restrictor	ø (mm)	6,5	6,5	10	10

3. Check the setting of the gas/air ratio.

#### 4.1.2 Checking/setting the combustion

1. Unscrew the cap from the flue gas measuring point.
2. Insert the probe for the flue gas analyser into the measurement opening.


**Warning**

During measurement, seal the opening around the sensor fully.


**Note**

- The flue gas analyser must have a minimum accuracy of  $\pm 0.25\%$  O<sub>2</sub>/CO<sub>2</sub>.
  - The flue gas analyser must meet the requirements of BS 7927 or BS-EN 503793 and be calibrated according to the manufacturer's requirements.
3. Measure the percentage of O<sub>2</sub>/CO<sub>2</sub> in the flue gases. Take measurements at full load and at part load.

#### ■ Checking/setting values O<sub>2</sub>/CO<sub>2</sub> at full load

1. Set the boiler to full load.
2. Measure the percentage of O<sub>2</sub>/CO<sub>2</sub> in the flue gases.
3. Compare the measured value with the checking values in the table.

Tab.9 Checking/setting values for O<sub>2</sub> at full load for G20

Values at full load for G20	O <sub>2</sub> % <sup>(1)</sup>	CO <sub>2</sub> % <sup>(1)</sup>
210-80	3,9 - 5,2 <sup>(1)</sup> - 6,5	8,1 - 8,8 <sup>(1)</sup> - 9,5
210-120	3,9 - 5,2 <sup>(1)</sup> - 6,5	8,1 - 8,8 <sup>(1)</sup> - 9,5
210-160	4,3 - 5,2 <sup>(1)</sup>	8,8 <sup>(1)</sup> - 9,3
210-200	4,3 - 5,2 <sup>(1)</sup>	8,8 <sup>(1)</sup> - 9,3
(1) Nominal value		

Tab.10 Checking/setting values for O<sub>2</sub> at full load for G31

Values at full load for G31	O <sub>2</sub> % <sup>(1)</sup>	CO <sub>2</sub> % <sup>(2)</sup>
210-80	4,7 - 5,7 <sup>(2)</sup> - 6,7	9,3 - 10,0 <sup>(2)</sup> - 10,7
210-120	4,7 - 5,7 <sup>(2)</sup> - 6,7	9,3 - 10,0 <sup>(2)</sup> - 10,7
210-160	4,9 - 5,7 <sup>(2)</sup>	10,0 <sup>(2)</sup> - 10,5
210-200	4,9 - 5,7 <sup>(2)</sup>	10,0 <sup>(2)</sup> - 10,5
(1) Nominal value		

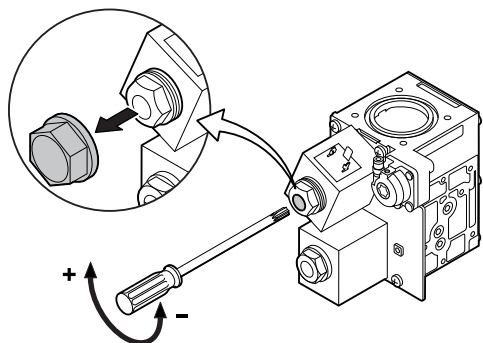
- If the measured value is outside of the values given in the table, correct the gas/air ratio.

**i Note**  
The 210-80 and 210-120 boilers are equipped with a restrictor on the gas valve unit. They can therefore only be set to part load.

- Using the adjusting screw, set the percentage of O<sub>2</sub>/CO<sub>2</sub> for the gas type being used to the nominal value. This should always be inside the highest and lowest setting limit. The direction in which the adjustment screw must be turned to increase or decrease the gas flow is indicated on the gas valve unit.
- Check the flame through the inspection window.

**i Note**  
The flame must not blow off.

Fig.3 210-160 - 210-200



AD-3000113-01

#### ■ Checking/setting values for O<sub>2</sub>/CO<sub>2</sub> at part load

- Set the boiler to part load.
- Measure the percentage of O<sub>2</sub>/CO<sub>2</sub> in the flue gases.
- Compare the measured value with the checking values in the table.

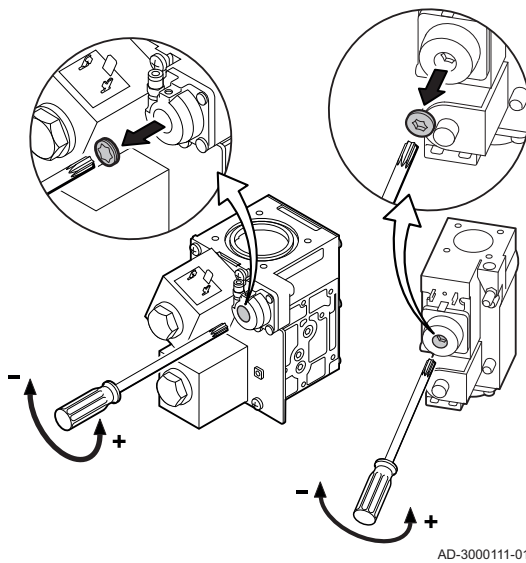
Tab.11 Checking/setting values for O<sub>2</sub> at part load for G20

Values at part load for G20	O <sub>2</sub> % <sup>(1)</sup>	CO <sub>2</sub> % <sup>(1)</sup>
210-80	3,4 - 4,3 <sup>(1)</sup>	9,3 <sup>(1)</sup> - 9,8
210-120	3,4 - 4,3 <sup>(1)</sup>	9,3 <sup>(1)</sup> - 9,8
210-160	3,4 - 4,3 <sup>(1)</sup>	9,3 <sup>(1)</sup> - 9,8
210-200	3,4 - 4,3 <sup>(1)</sup>	9,3 <sup>(1)</sup> - 9,8
(1) nominal value		

Tab.12 Checking/setting values for O<sub>2</sub> at part load for G31

Values at part load for G31	O <sub>2</sub> % <sup>(1)</sup>	CO <sub>2</sub> % <sup>(2)</sup>
210-80	4,1 - 4,9 <sup>(2)</sup>	10,5 <sup>(2)</sup> - 11,0
210-120	4,1 - 4,9 <sup>(2)</sup>	10,5 <sup>(2)</sup> - 11,0
210-160	4,1 - 4,9 <sup>(2)</sup>	10,5 <sup>(2)</sup> - 11,0
210-200	4,1 - 4,9 <sup>(2)</sup>	10,5 <sup>(2)</sup> - 11,0
(1) nominal value		

Fig.4 Adjusting screw



4. If the measured value is outside of the values given in the table, correct the gas/air ratio.
5. Using the adjusting screw, set the percentage of O<sub>2</sub>/CO<sub>2</sub> for the gas type being used to the nominal value. This should always be inside the highest and lowest setting limit. The direction in which the adjustment screw must be turned to increase or decrease the gas flow is indicated on the gas valve unit.
6. Check the flame through the inspection window.

**i** Note

The flame must not blow off.

7. Repeat the full load test and the part load test as often as necessary until the correct values are obtained.
8. Set the boiler back to the normal operating status.

## 5 Settings

### 5.1 Parameter descriptions

Tab.13 Factory setting

Parameter	Description	Adjustment range	210-80	210-120	210-160	210-200
P35	Minimum pump speed	0% – 100%	20	20	20	20
P36	Maximum pump speed	0% – 100%	100	100	100	100

### 5.2 Displaying the measured values

The control unit continually registers various values from the boiler and the connected sensors. These values can be read on the control panel of the boiler.

#### 5.2.1 Status and sub-status

The information menu **i** gives the following status and sub-status numbers:

Tab.14 Status and sub-status numbers

Status <b>57</b>		Sub-status <b>50</b>			
<b>0</b>	Stand-by mode	<b>0</b>	Stand-by mode		
<b>1</b>	Boiler start (heat demand)	<b>1</b>	Anti-swing		
		<b>2</b>	Open hydraulic valve		
		<b>3</b>	Start pump		
		<b>4</b>	Wait for the correct temperature before burner start		
<b>2</b>	Burner start	<b>10</b>	Open external gas valve		
		<b>11</b>	Fan on		
		<b>12</b>	Open flue damper		
		<b>13</b>	Pre-ventilation		
		<b>14</b>	Wait for release signal		
		<b>15</b>	Burner on		
		<b>16</b>	Gas leakage control VPS		
		<b>17</b>	Pre-ignition		
		<b>18</b>	Main ignition		
		<b>19</b>	Flame detection		
		<b>20</b>	Intermediate ventilation		
		<b>21</b>	Burner on (flue gas discharge test)		
		<b>3</b>	Burning on CH operation	<b>30</b>	Temperature control
				<b>31</b>	Limited temperature control ( $\Delta T$ protection)
<b>32</b>	Capacity control				
<b>33</b>	Temperature gradient protection level 1 (modulate down)				
<b>34</b>	Temperature gradient protection level 2 (part load)				
<b>35</b>	Temperature gradient protection level 3 (blocking)				
<b>36</b>	Modulate up for flame control				
<b>37</b>	Temperature stabilisation time				
<b>38</b>	Cold start				

Status <b>57</b>		Sub-status <b>50</b>	
<b>5</b>	Burner stop	<b>40</b>	Burner off
		<b>41</b>	Post ventilation
		<b>42</b>	Fan off
		<b>43</b>	Close flue damper
		<b>44</b>	Stop fan
		<b>45</b>	Close the external gas valve
<b>6</b>	Boiler stop (end of heat demand)	<b>60</b>	Pump post circulation
		<b>61</b>	Pump off
		<b>62</b>	Close hydraulic valve
		<b>63</b>	Start anti-swing
<b>8</b>	Control stop	<b>0</b>	Wait for burner start
		<b>1</b>	Anti-swing
<b>9</b>	Blocking	<b>xx</b>	Blocking code <b>xx</b>



## 6 Disposal/recycling

### 6.1 Removal/recycling

---

**Note**

Removal and disposal of the boiler must be carried out by a qualified person in accordance with local and national regulations.

To remove the boiler, proceed as follows:

1. Switch off the boiler's electrical connection.
2. Shut off the gas supply.
3. Shut off the water supply.
4. Drain the installation.
5. Remove the siphon.
6. Remove the air supply/flue gas outlet pipes.
7. Disconnect all pipes on the boiler.
8. Remove the boiler.

## 7 Appendix

### 7.1 ErP information

#### 7.1.1 Product card

Tab.15 Product card

Remeha - Gas 210 ECO PRO		210-80	210-120	210-160	210-200
Seasonal space heating energy efficiency class		-	-	-	-
Rated heat output ( <i>Prated or Psup</i> )	kW	87	115	166	200
Seasonal space heating energy efficiency	%	-	-	-	-
Annual energy consumption	GJ	-	-	-	-
Sound power level $L_{WA}$ indoors	dB	67	67	67	67



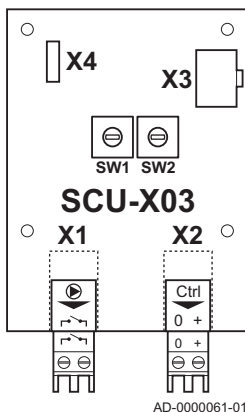
**See**

For specific precautions in relation to assembly, installation and maintenance: Safety, page 4

### 7.2 Optional electrical connections

#### 7.2.1 Connection options for the PCB (SCU-X03)

Fig.5 SCU-X03 PCB



The SCU-X03 PCB can control a modulating central heating pump. Depending on the make and type of pump, the pump can be controlled by a 0–10 V, 4–20 mA or a PWM signal. The speed of the pump is modulated based on the signal received from the boiler.



**Note**

For correct connection of the pump, see the documentation supplied with the pump.

■ **Connecting on/off contact**

1. Connect the on/off contact of the CH pump to the connector **X1**.



**Caution**

Do not use the on/off contact to interrupt the power supply to the pump.

■ **Connecting a central heating pump**

1. Connect the CH pump controller to the connector **X2**.

Select the type of signal that will be received from the boiler using the rotary knob **SW1** on the PCB. See table below

No.	Description
0	Pump modulation signal
1	Required heat output of boiler
2	Current heat output of boiler
3	–
4	–

No.	Description
5	–
6	–
7	–
8	–
9	–

**Caution**

- If possible, use the pump modulation signal. This provides the most accurate pump control.
- In positions 3 to 9 the control PCB receives no signal from the boiler and the boiler responds as in position 0.
- If the automatic burner unit does not support pump modulation, the pump will behave as an on/off pump.

Select the type of signal that controls the pump using the rotary knob **SW2** on the PCB. See table below.

No.	Description
0	0–10 V (Wilco pump)
1	0–10 V (Grundfoss pump)
2	PWM
3	4–20 mA
4	–
5	–
6	–
7	–
8	–
9	–

**Caution**

In positions 4 to 9 the control PCB sends no signal to the pump and the pump will not start up.







© Copyright

All technical and technological information contained in these technical instructions, as well as any drawings and technical descriptions supplied, remain our property and shall not be multiplied without our prior consent in writing. Subject to alterations.

Remeha Commercial UK  
Innovations House  
3 Oaklands Business Centre  
Oaklands Park  
RG41 2FD Wokingham  
Tel: +44 (0)118 978 3434  
Fax: +44 (0)118 978 6977  
Internet: [www.remeha.co.uk](http://www.remeha.co.uk)  
E-mail: [boilers@remeha.co.uk](mailto:boilers@remeha.co.uk)

 **remeha** the comfort innovators



PART OF BDR THERMEA

